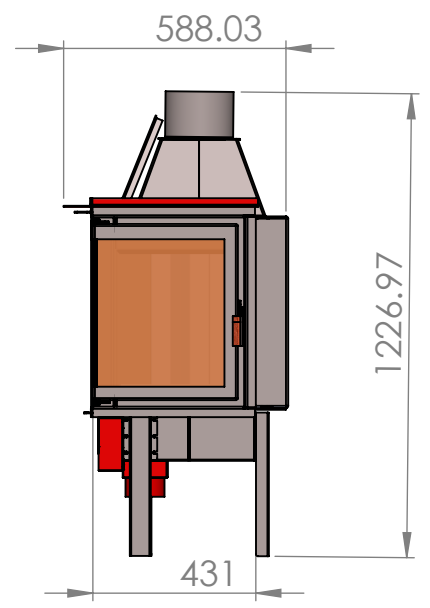
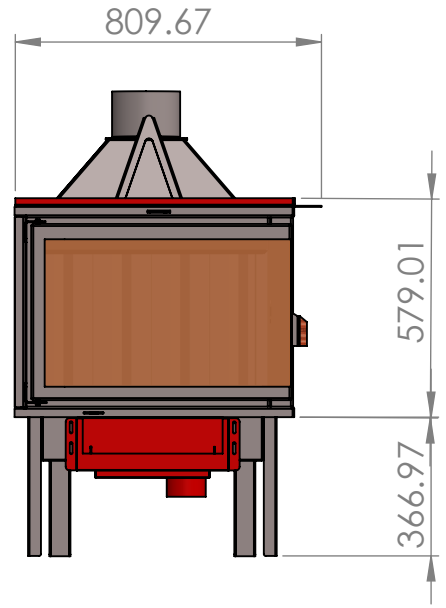


4 3 2 1

F

F

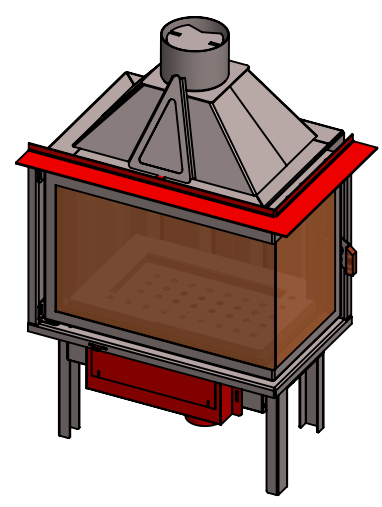
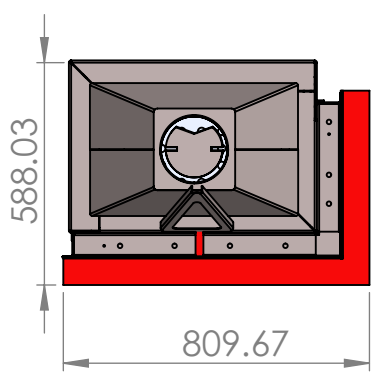


E

E

D

D



C

C

B

B

UNLESS OTHERWISE SPECIFIED: DIMENSIONS ARE IN MILLIMETERS SURFACE FINISH: TOLERANCES: LINEAR: ANGULAR:	FINISH:	DEBURR AND BREAK SHARP EDGES	DO NOT SCALE DRAWING	REVISION

	NAME	SIGNATURE	DATE	
DRAWN				
CHK'D				
APP'VD				
MFG				
Q.A				

TITLE:

MATERIAL:

DWG NO.

SCALE: 1:20

SHEET 1 OF 1

# Amato GJ (K) - 3D (25-08-2012)

4 3 2 1

A

A